



Digital Input Device (DID)

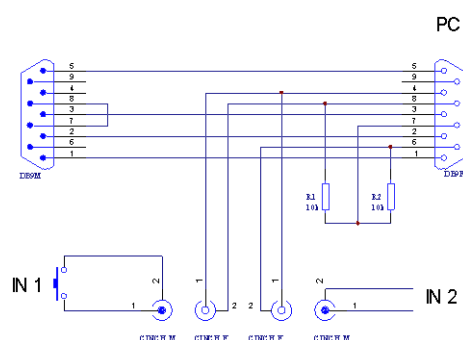
Adapter of digital inputs for RS232 serial line

The digital input device utilizes the free signals of the RS232 COM port to create two inputs. These inputs can be used to control selected Clarity Control modules. It is for example used to start the ECOM detector.

Detailed description can be found at: <http://www.dataapex.com/products/hw-did01.php>

Use the inputs with contact or button; do not connect voltage to it.

Both inputs are equipped with CINCH connector. The set includes also two cables with CINCH on one side and a button and free leads on the other.



Digital Input Device

Usage Instruction

Connect the Digital Input Device between the COM port and the Instrument.

Related products

The Digital Input Device is currently used in following Instruments supported from Clarity:

- **Ecom Sapphire** detector
- **Ecom TOPAZ** detector
- **Sykam S3210/S3240** detectors

These detectors need the LC control module (p/n A24) to function.

If you intend to use the DID with different detectors than the above, use the Digital Input Module (DIM). Please, see the DIM manual or visit the product page at: <http://www.dataapex.com/products/dim.php>.

Specification:

- **Part No.:** DID01
- **Dimensions:** 35x65x17 mm (wxhxd)
- **Weight:** 60 g (including cables)

For more information contact sales@dataapex.com